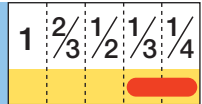




**For Security**  
**Fixed Focal**

# YF2.8A-SA2B

Applicable camera (model)



\*Photograph is a similar model.

- Super wide angle lens with the horizontal field angle of 96 degrees or more (when used on 1/3" cameras).
- Built-in ND filter of T360, supporting high sensitivity cameras.
- Wide aperture of F1.3, optimizing the performance at low lighting intensity.

**FIXED**  
Fixed Focal

**WIDE**  
Wide Angle

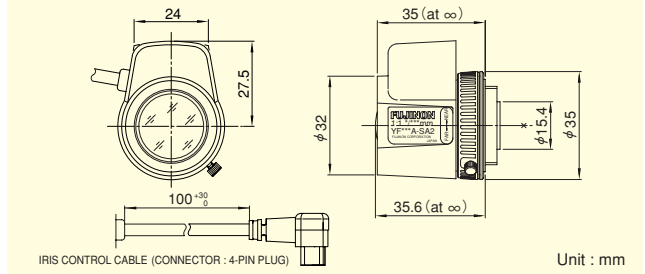
**DC**  
DC Auto Iris

**CS-mt**  
CS Mount

**ND**  
ND Filter

**230**  
Long Cable

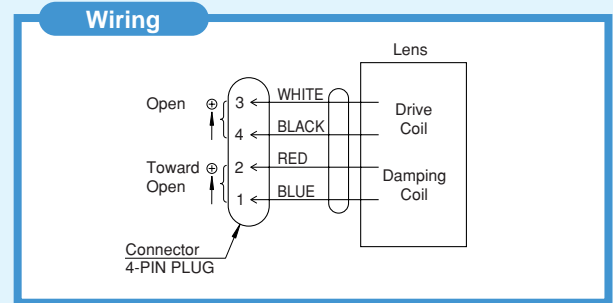
**F1.3**  
Wide Aperture Rate



Focal Length (mm)		2.8
Iris Range		F1.3 ~ T360 (Equivalent to F360)
Operation	Focus	Manual
	Iris	Auto (DC Type) (*1)
Angle Of View (H×V)	1/3"	96°15' × 71°51'
	1/4"	71°51' × 53°45'
Focusing Range (From Front Of The Lens) (m)		∞ ~ 0.1
Object Dimensions at M.O.D. (H×V) (mm)	1/3"	241 × 157
	1/4"	157 × 110
Back Focal Distance (in air) (mm)		8.11
Exit Pupil Position (From Image Plane) (mm)		166
Filter Thread (mm)		—
Mount		CS
Mass (g)		50
Coil Resistance		Drive Coil 200Ω Damping Coil 600Ω
Current Consumption		22mA (Max.) at DC 4V

**Remarks**

(\*1) When power is turned off, iris will automatically close.  
YF2.8A-SA2LB: Long Cable Type (230mm)



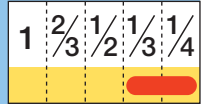
FIXED FOCAL LENGTH LENSES



**For Security**  
**Fixed Focal**

# YF4A-SA2B

Applicable camera (model)



- Built-in ND filter of T360, supporting high sensitivity cameras.
- Wide aperture of F1.2, optimizing the performance at low lighting intensity.

**FIXED**  
Fixed Focal

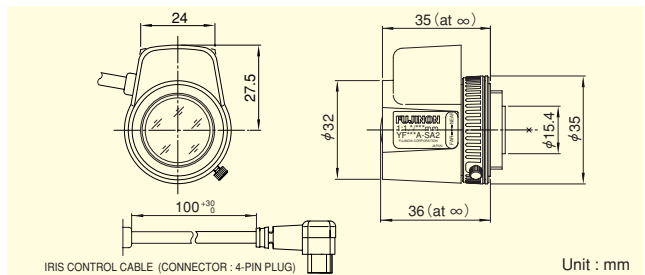
**DC**  
DC Auto Iris

**CS-mt**  
CS Mount

**ND**  
ND Filter

**230**  
Long Cable

**F1.2**  
Wide Aperture Rate



Focal Length (mm)		4
Iris Range		F1.2 ~ T360 (Equivalent to F360)
Operation	Focus	Manual
	Iris	Auto (DC Type) (*1)
Angle Of View (H×V)	1/3"	65°21' × 49°27'
	1/4"	49°27' × 37°15'
Focusing Range (From Front Of The Lens) (m)		∞ ~ 0.1
Object Dimensions at M.O.D. (H×V) (mm)	1/3"	132 × 99
	1/4"	99 × 73
Back Focal Distance (in air) (mm)		8.62
Exit Pupil Position (From Image Plane) (mm)		727
Filter Thread (mm)		—
Mount		CS
Mass (g)		40
Coil Resistance		Drive Coil 200Ω Damping Coil 600Ω
Current Consumption		22mA (Max.) at DC 4V

**Remarks**

(\*1) When power is turned off, iris will automatically close.  
YF4A-SA2LB : Long Cable Type (230mm)

