



**For Security
Vari-Focal**

Applicable camera (model)

DV5×3.6R4B-SA2

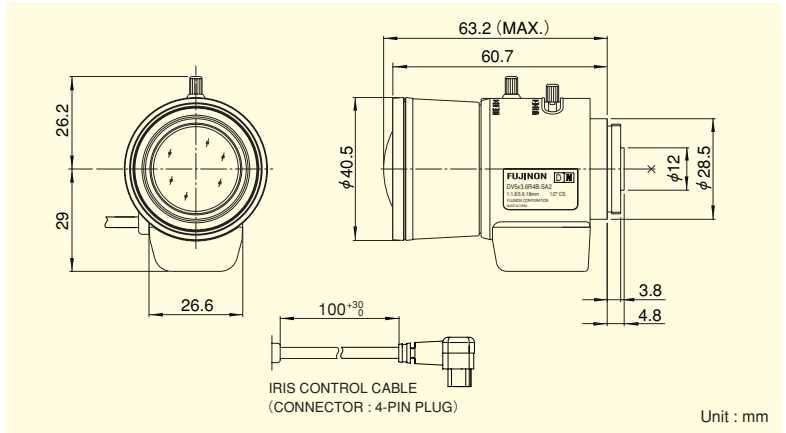
| | | | | |
|---|-----|-----|-----|-----|
| 1 | 2/3 | 1/2 | 1/3 | 1/4 |
|---|-----|-----|-----|-----|

5×



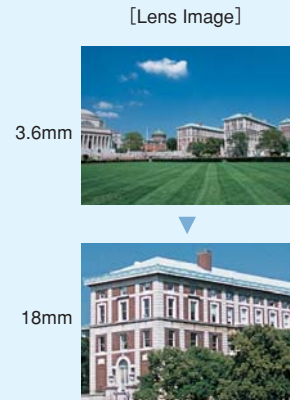
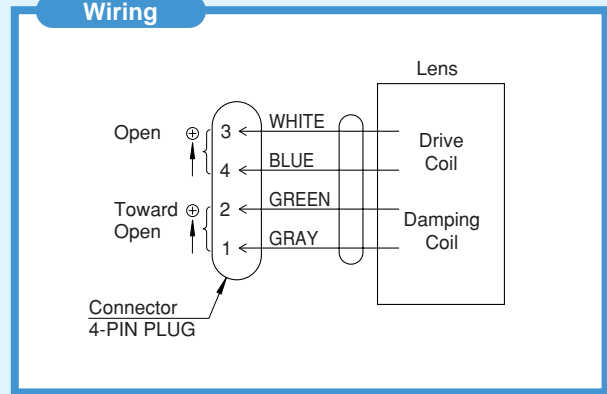
*Photograph is a similar model.

- VARI**
Vari-Focal
- WIDE**
Wide Angle
- TELE**
Telephoto Long Focal
- Day~Night**
Day & Night
- DC**
DC Auto Iris
- CS-mt**
CS Mount
- METAL**
Metal Mount
- ND**
ND Filter
- 230**
Long Cable
- AT**
Aspherical Lens



- Advanced design engineering and special optic glass adopted, best suited for color, Black and White and Day and Night cameras.
- Compatible with a wide range - 1/2", 1/3" and 1/4" - cameras.
- Broad range of f3.6-18mm, supporting various applications.
- High accuracy aspheric lens adopted, achieving the high quality image.
- Built-in ND filter of T360, supporting high sensitivity cameras.

| | | | |
|---|-------|--|-----------------|
| Focal Length (mm) | | 3.6~18 (5×) | |
| Iris Range | | F1.8 ~ T360 (Equivalent to F360) | |
| Operation | Zoom | Manual | |
| | Focus | Manual | |
| | Iris | Auto (DC Type) (*1) | |
| Angle Of View (H×V) | 1/2" | WIDE | 95°54' × 72°24' |
| | | TELE | 19°57' × 15°09' |
| | 1/3" | WIDE | 72°24' × 54°25' |
| | | TELE | 15°09' × 11°26' |
| | 1/4" | WIDE | 54°25' × 40°50' |
| | | TELE | 11°26' × 8°37' |
| Focusing Range (From Front Of The Lens) (m) | | ∞ ~ 0.3 | |
| Object Dimensions at M.O.D. (H×V) (mm) | 1/2" | WIDE | 694 × 457 |
| | | TELE | 110 × 83 |
| | 1/3" | WIDE | 457 × 321 |
| | | TELE | 83 × 62 |
| | 1/4" | WIDE | 321 × 232 |
| | | TELE | 62 × 47 |
| Back Focal Distance (in air) (mm) | | 7.87 | |
| Exit Pupil Position (From Image Plane) (mm) | | -81 | |
| Filter Thread (mm) | | — | |
| Mount | | CS | |
| Mass (g) | | 75 | |
| Coil Resistance | | Drive Coil | 190Ω |
| | | Damping Coil | 500Ω |
| Current Consumption | | 23mA (Max.) at DC 4V | |
| Remarks | | • With Metal Mount (*1) When power is turned off, iris will automatically close. DV5×3.6R4B-SA2L : Long Cable Type (230mm) | |



VARI-FOCAL LENSES