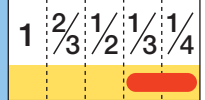




For Security
Vari-Focal

Applicable camera (model)

YV2.8×2.8LA-SA2



2.8×



*Photograph is a similar model.

- Unparalleled brightness at the maximum aperture of F0.95, optimizing the performance at low lighting intensity.
- WIDE2.8mm, achieving the horizontal field angle of 99 degrees (when used on 1/3 cameras).
- Compact and lightweight design, best suited for the use with dome cameras.
- High accuracy aspheric lens adopted, achieving the high quality image.
- Built-in ND filter of T360, supporting high sensitivity cameras.

VARI
Vari-Focal

WIDE
Wide Angle

DC
DC Auto Iris

CS-mt
CS Mount

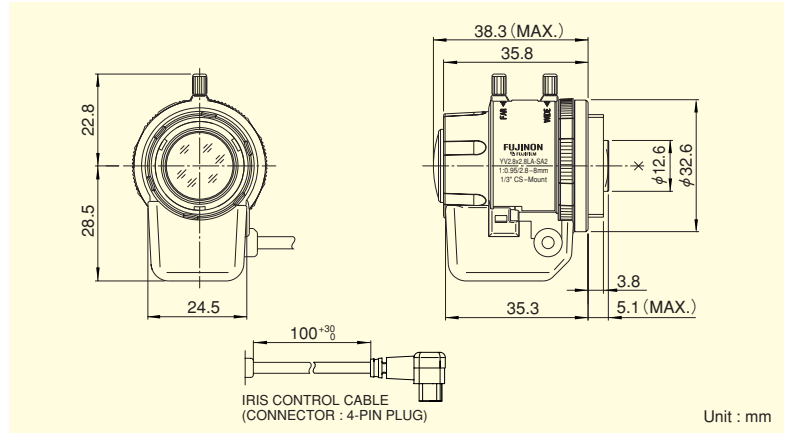
METAL
Metal Mount

ND
ND Filter

230
Long Cable

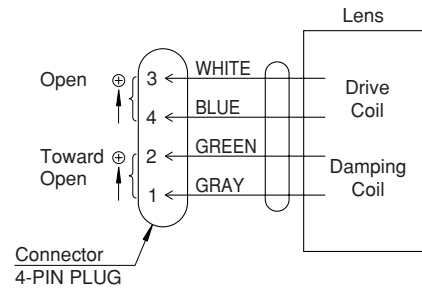
AT
Aspherical Lens

F0.95
Wide Aperture Rate



| | | | |
|---|---|-----------------------------------|-----------------|
| Focal Length (mm) | | 2.8~8 (2.8× | |
| Iris Range | | F0.95 ~ T360 (Equivalent to F360) | |
| Operation | Zoom | Manual | |
| | Focus | Manual | |
| | Iris | Auto (DC Type) (*1) | |
| Angle Of View (H×V) | 1/3" | WIDE | 99°52' × 73°17' |
| | | TELE | 35°14' × 26°24' |
| | 1/4" | WIDE | 73°17' × 54°19' |
| | | TELE | 26°24' × 19°47' |
| Focusing Range (From Front Of The Lens) (m) | | ∞ ~ 0.3 | |
| Object Dimensions at M.O.D. (H×V) (mm) | 1/3" | WIDE | 736 × 459 |
| | | TELE | 196 × 145 |
| | 1/4" | WIDE | 459 × 317 |
| | | TELE | 145 × 108 |
| Back Focal Distance (in air) (mm) | | 7.51 | |
| Exit Pupil Position (From Image Plane) (mm) | | 91 | |
| Filter Thread (mm) | | — | |
| Mount | | CS | |
| Mass (g) | | 45 | |
| Coil Resistance | | Drive Coil | 190Ω |
| | | Damping Coil | 500Ω |
| Current Consumption | | 23mA (Max.) at DC 4V | |
| Remarks | • With Metal Mount (*1) When power is turned off, iris will automatically close. YV2.8×2.8LA-SA2L : Long Cable Type (230mm) | | |

Wiring



[Lens Image]

2.8mm



8mm



VARI-FOCAL LENSES