



For Surveillance Telephoto Zoom

Applicable camera (model)

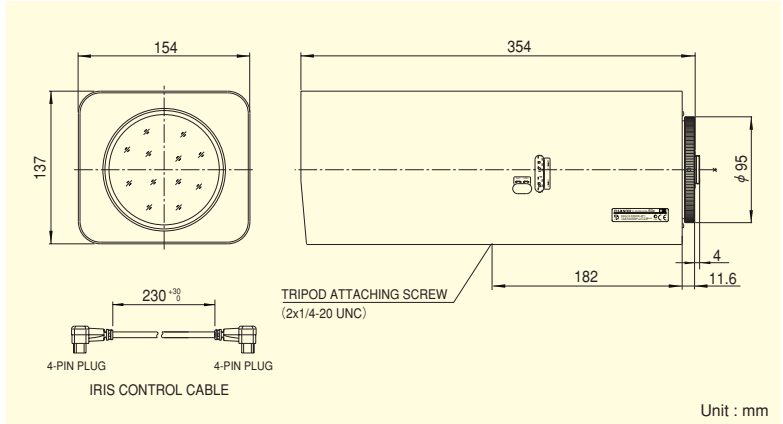
1	2/3	1/2	1/3	1/4
---	-----	-----	-----	-----

60x



ZOOM Zoom	WIDE Wide Angle	TELE Telephoto Long Focal	MOTOR DRIVE Motor Drive	Day~Night Day & Night	VIDEO Video Auto Iris	IRIS-REMOTE Iris Remote
C-mt C Mount	METAL Metal Mount	PC PC Control	SERVO Full Servo	ND ND Filter	2x Extender	F3.8 Wide Aperture Rate

- Offering F3.8 brightness and 60x zoom (focal length of 1500mm when used with an extender), these lenses are suited for long-range surveillance, such as for seaport security.
- The compact and lightweight design allows establishment of compact remote surveillance systems.
- Day/Night capability for high-quality imaging around the clock.
- Equipped with a 2x extender that provides clear identification of individuals activities at a distance of 3km.
- Full servo control for fine zoom operation and PC-based control.
- Iris Override function allows manual iris adjustment.

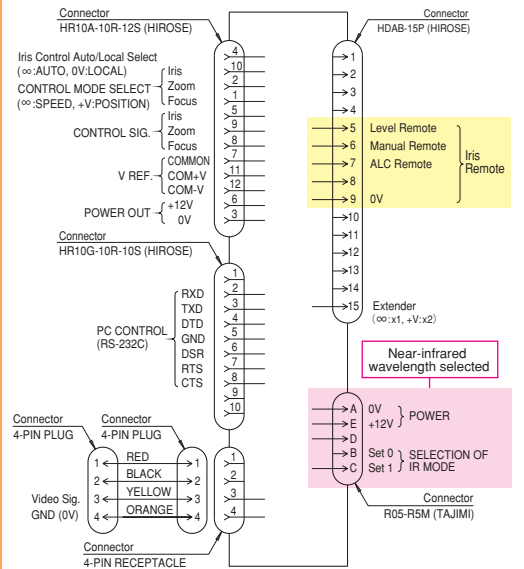


		1x		2x	
Focal Length (mm)		12.5~750 (60x)		25~1500 (60x)	
Iris Range		F3.8~T3000 (Equivalent to F3000)		F7.6~T3000 (Equivalent to F3000)	
Operation	Zoom	Servo Control			
	Focus	Servo Control			
	Iris	Auto (Video Type), Remote or Servo Control (*1) (*2)			
Angle Of View (HxV)	1/2"	WIDE	28°43' X 21°44'	14°35' X 10°58'	
		TELE	0°29' X 0°22'	0°15' X 0°11'	
	1/3"	WIDE	21°44' X 16°23'	10°58' X 8°14'	
		TELE	0°22' X 0°17'	0°11' X 0°08'	
	1/4"	WIDE	16°23' X 12°20'	8°14' X 6°11'	
		TELE	0°17' X 0°08'	0°08' X 0°06'	
Focusing Range (From Front Of The Lens) (m)		∞ ~ 5		∞ ~ 5	
Object Dimensions at M.O.D. (HxV) (mm)	1/2"	WIDE	2465 X 1849	1233 X 924	
		TELE	41 X 31	21 X 15	
	1/3"	WIDE	1849 X 1387	925 X 693	
		TELE	31 X 23	16 X 12	
	1/4"	WIDE	1387 X 1040	693 X 520	
		TELE	23 X 17	12 X 9	
Back Focal Distance (in air) (mm)		53.23		31.10	
Exit Pupil Position (From Image Plane) (mm)		-77		-38	
Filter Thread (mm)		M107X1			
Mount		C			
Extender		2x			
Mass (kg)		5.2			

Standard Accessories Iris Control Cable
Connection Connector (15-pin, 5-pin)

Remarks
 • With Metal Mount
 (*1) When power is turned off, iris will automatically close.
 (*2) For Iris remote function please refer to page (J-1).

Wiring



Near-infrared wavelength selected

