



**For Security  
Vari-Focal**

# DV10×7B-SA2

Applicable camera (model)

1	2/3	1/2	1/3	1/4
---	-----	-----	-----	-----

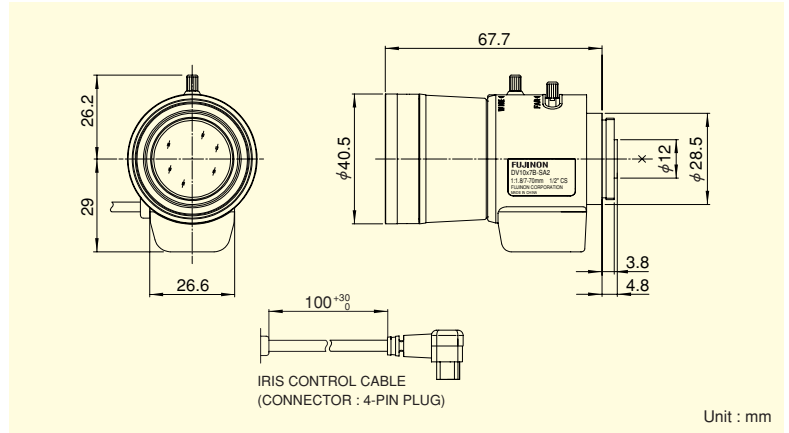
- VARI**  
Vari-Focal
- WIDE**  
Wide Angle
- TELE**  
Telephoto Long Focal
- DC**  
DC Auto Iris
- CS-mt**  
CS Mount
- METAL**  
Metal Mount
- ND**  
ND Filter
- 230**  
Long Cable
- AT**  
Aspherical Lens

**10×**



\*Photograph is a similar model.

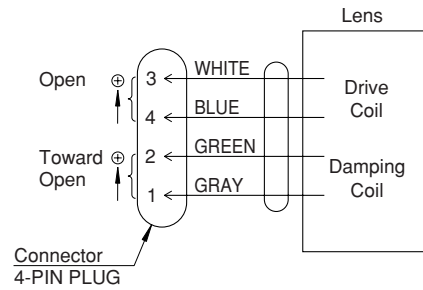
- Compatible with a wide range - 1/2", 1/3" and 1/4" - cameras.
- Broad range of f7-70mm, supporting various applications.
- High accuracy aspheric lens adopted, achieving the high quality image.
- Built-in ND filter of T360, supporting high sensitivity cameras.



VARI-FOCAL LENSES

Focal Length (mm)		7~70 (10×)	
Iris Range		F1.8 ~ T360 (Equivalent to F360)	
Operation	Zoom	Manual	
	Focus	Manual	
	Iris	Auto (DC Type) (*1)	
Angle Of View (H×V)	1/2"	WIDE	50°01' × 38°12'
		TELE	5°12' × 3°59'
	1/3"	WIDE	38°12' × 28°56'
		TELE	3°59' × 3°02'
	1/4"	WIDE	28°56' × 21°49'
		TELE	3°02' × 2°17'
Focusing Range (From Front Of The Lens) (m)		∞ ~ 0.3	
Object Dimensions at M.O.D. (H×V) (mm)	1/2"	WIDE	301 × 223
		TELE	60 × 46
	1/3"	WIDE	223 × 166
		TELE	46 × 35
	1/4"	WIDE	166 × 124
		TELE	35 × 26
Back Focal Distance (in air) (mm)		7.90	
Exit Pupil Position (From Image Plane) (mm)		-62	
Filter Thread (mm)		—	
Mount		CS	
Mass (g)		100	
Coil Resistance		Drive Coil	190Ω
		Damping Coil	500Ω
Current Consumption		23mA (Max.) at DC 4V	
Remarks		<ul style="list-style-type: none"> <li>• With Metal Mount</li> <li>(*1) When power is turned off, iris will automatically close.</li> <li>DV10×7B-SA2L : Long Cable Type (230mm)</li> </ul>	

### Wiring



[Lens Image]

