

8 7 6 5 4 3 2 1

D

C

B

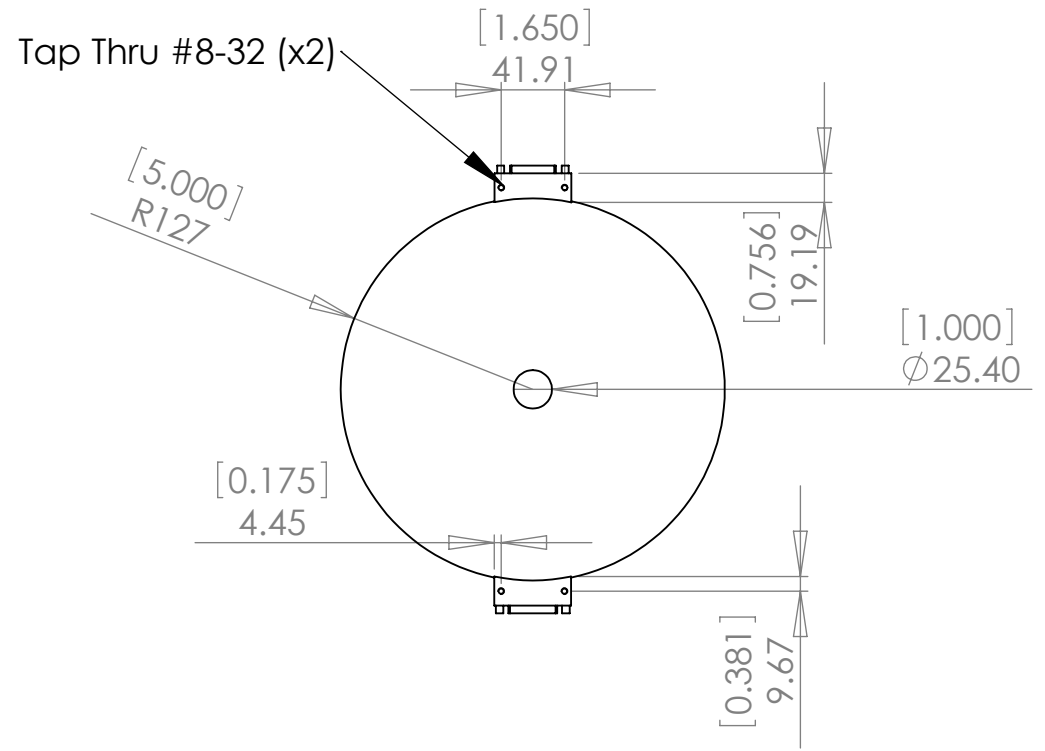
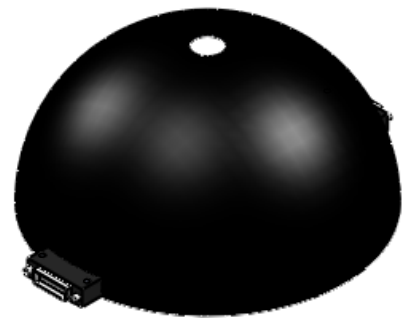
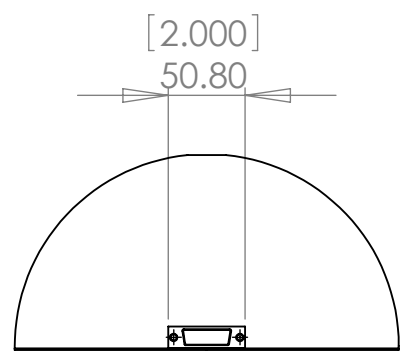
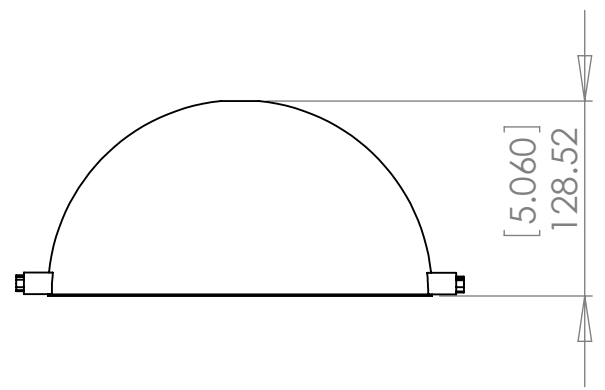
A

D

C

B

A



PROPRIETARY AND CONFIDENTIAL
 THE INFORMATION CONTAINED IN THIS DRAWING IS THE SOLE PROPERTY OF METAPHASE TECHNOLOGIES, INC. ANY REPRODUCTION IN PART OR AS A WHOLE WITHOUT THE WRITTEN PERMISSION OF METAPHASE TECHNOLOGIES, INC. IS PROHIBITED.

		UNLESS OTHERWISE SPECIFIED:		NAME	DATE	Metaphase Technologies, Inc.		
		DIMENSIONS ARE IN MM [INCHES]		DRAWN				
		TOLERANCES:		CHECKED		TITLE: Dome Light OD 10"		
		FRACTIONAL ±		ENG APPR.				
		ANGULAR: MACH ± BEND ±		MFG APPR.		SIZE	DWG. NO.	REV
		TWO PLACE DECIMAL ±		Q.A.		B	DL 401	A
		THREE PLACE DECIMAL ±		COMMENTS:		SCALE: 1:5	WEIGHT:	SHEET 1 OF 1
INTERPRET GEOMETRIC TOLERANCING PER:								
MATERIAL								
FINISH								
NEXT ASSY	USED ON							
APPLICATION			DO NOT SCALE DRAWING					

8 7 6 5 4 3 2 1